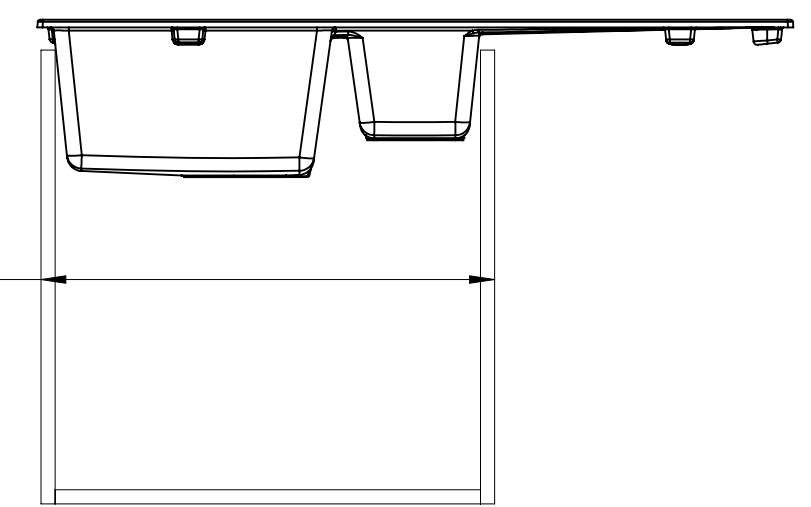
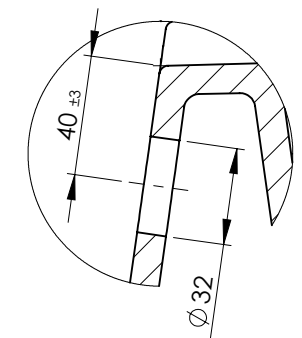
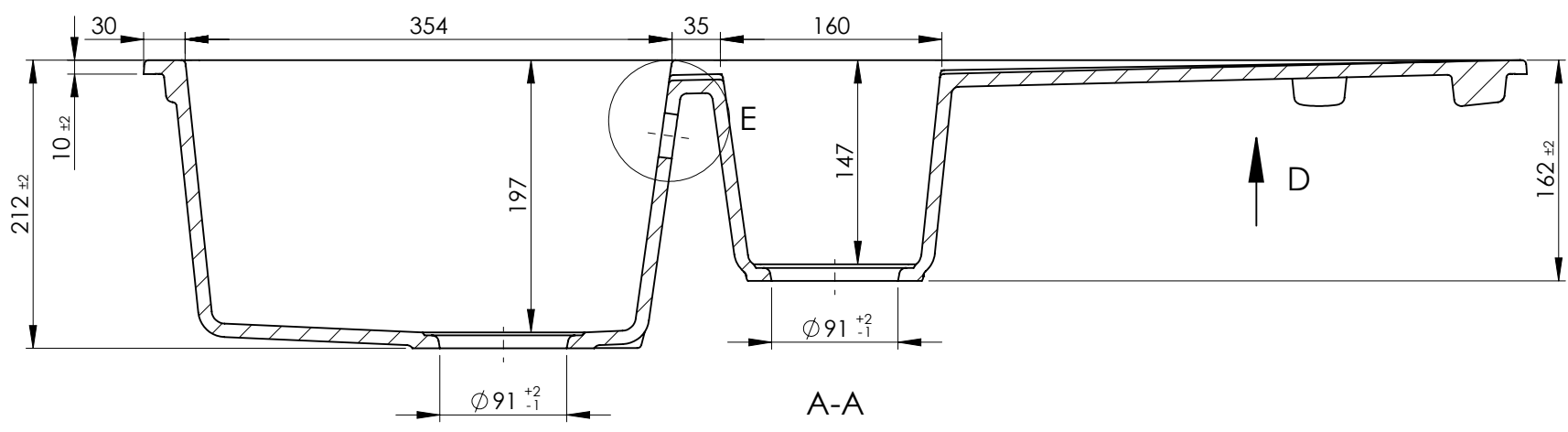


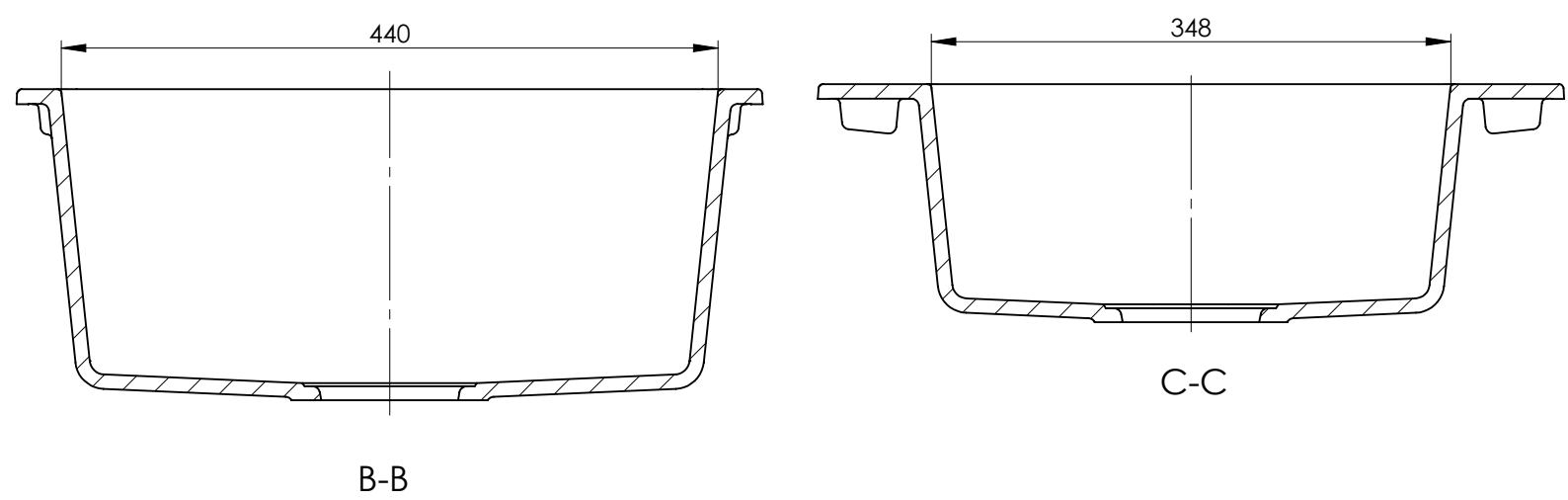
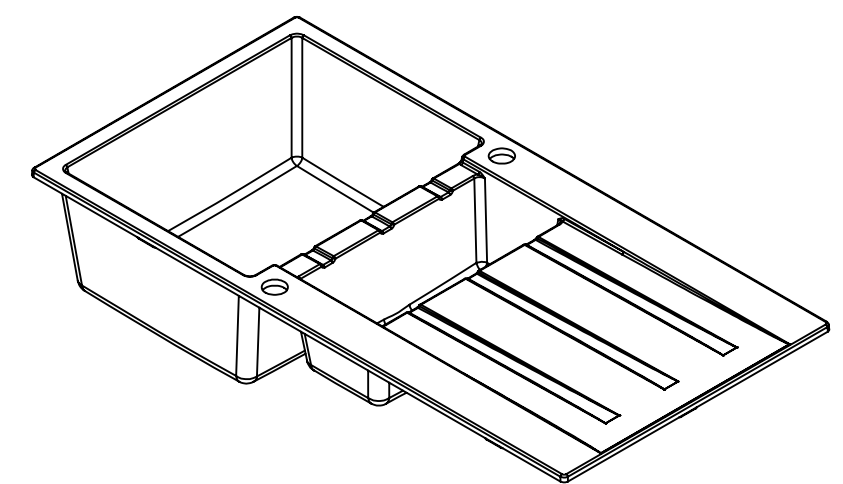
VIEW D



[cupboard 60]  
600



DETAIL E  
SCALE 2 : 5



Attention:  
1. Shell thickness 10mm.

Change number	Change number	Signature	Date	Material: Composite								
Constructed	P.Mordaka		2020-02-24	Standard: PN-EN 13310; PN-EN 695; Dimensions not tolerated according to standard ISO 2768-1-v.								
Drawn	N.Gasiorowski	Signature	2020-03-13	<table border="1"> <tr> <td>Volume</td> <td>Mass</td> <td>Scale</td> <td>Format</td> </tr> <tr> <td>8437 cm<sup>3</sup></td> <td>17,5 kg</td> <td>1:10</td> <td>A3</td> </tr> </table>	Volume	Mass	Scale	Format	8437 cm <sup>3</sup>	17,5 kg	1:10	A3
Volume	Mass	Scale	Format									
8437 cm <sup>3</sup>	17,5 kg	1:10	A3									
Checked		Signature		Name: DELLO 1,5KO - COMERCIAL								
Approved		Signature		Number: ZYEx513 - 003								
		WAGRAN Sp. z o.o. 97-200 Tomaszów Maz. ul. Spalska 103/105										