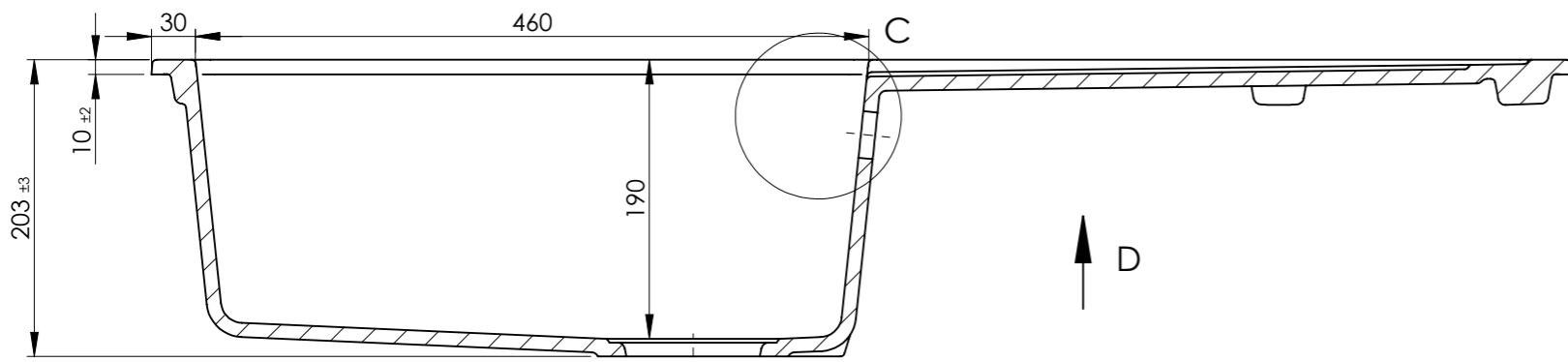
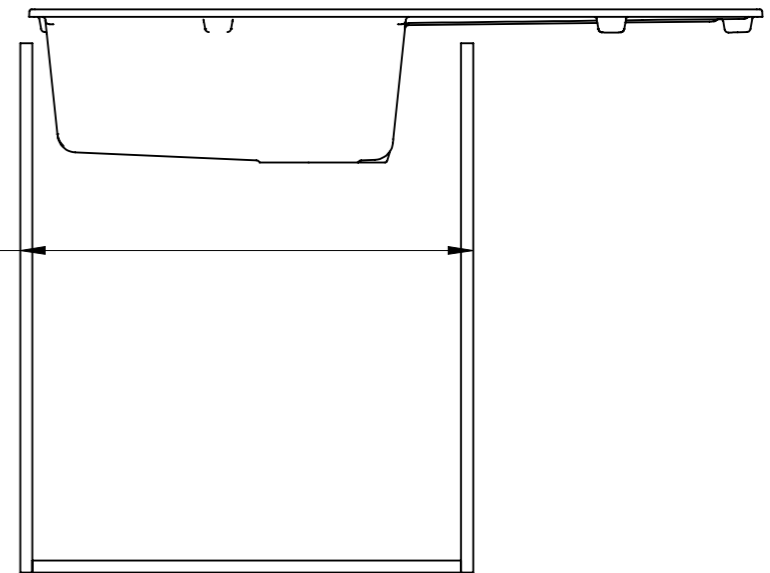
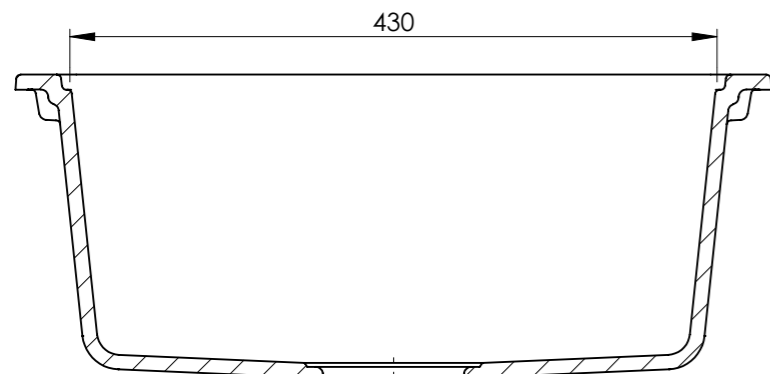


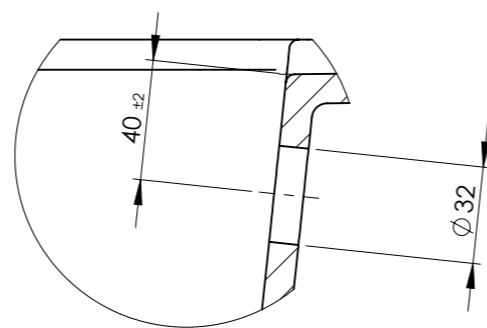
VIEW D



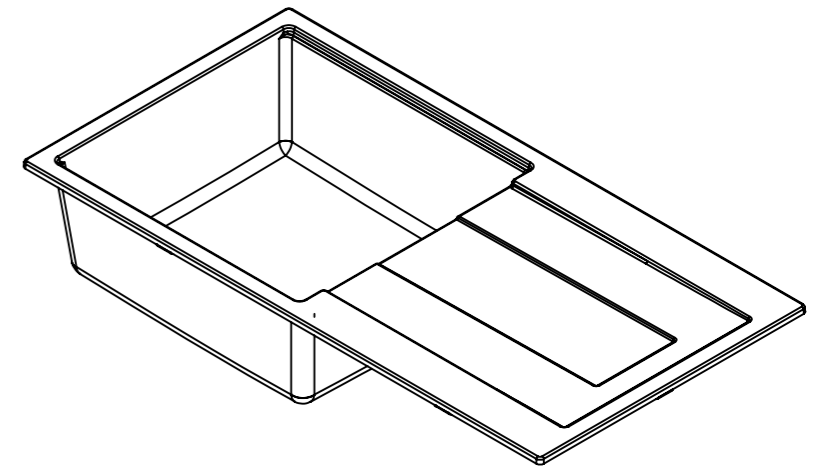
A-A



B-B



DETAIL C



Attention:
1. Shell thickness 10mm.

Constructed		P.Mordaka		Signature		Date		Material: Composite							
Drawn		P.Mordaka		Signature		Date		Standard: PN-EN 695 PN-EN 13310 Dimension not tolerated according to the standard ISO 2768-1-v							
Checked				Signature		Date		Volume		Mass		Scale		Format	
Approved				Signature		Date		7554 cm ³		16 kg		1:5		A3	
				Zakład Produkcyjny WAGRAN Sp. z o.o. 97-200 Tomaszów Maz. ul. Spalska 103/105				Name: 1KO - Handlowy							
								Number: 20200730_1KO - 003							